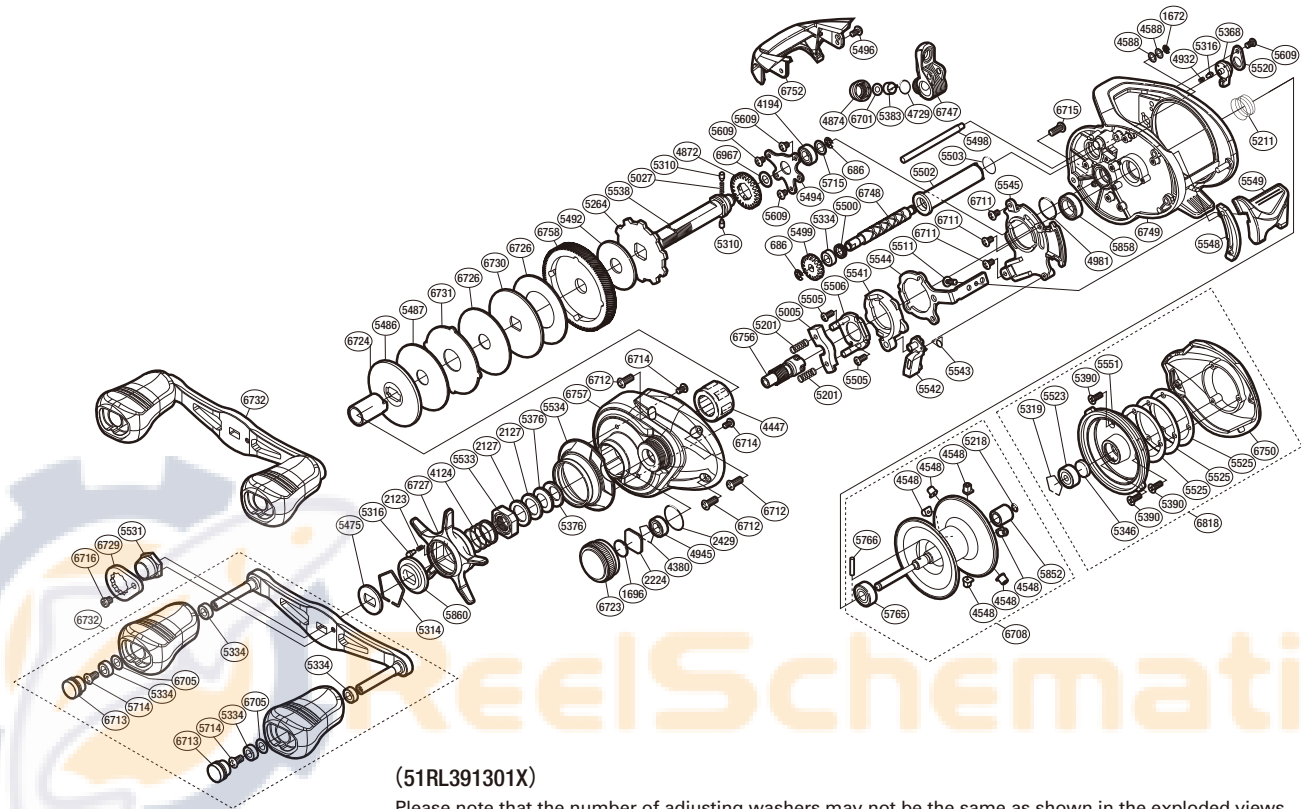


SHIMANO

CURADO S A-RB

CU301K



(51RL391301X)

Please note that the number of adjusting washers may not be the same as shown in the exploded views. (Adjustment will vary with each individual product.)

Part No.	Description	Part No.	Description	Part No.	Description
BNT0686	E Lock	BNT5390	Screw	BNT5766	Spool Clutch Pin
BNT1672	E Lock	BNT5475	Drive Shaft Shield	BNT5852	Spool Shaft Bushing
BNT1696	Cast Control Spacer (B)	BNT5486	Key Washer	BNT5858	Ball Bearing
BNT2123	Click Spring	BNT5487	Drag Washer	BNT5860	Star Drag Click Plate
BNT2127	Star Drag Spacer	BNT5492	Drag Washer	BNT6701	Spacer
BNT2224	Spool Tension Spacer (A)	BNT5494	Drive Shaft Retainer	BNT6705	Washer
BNT2429	O Ring	BNT5496	Screw	BNT6708	Spool Assembly
BNT4124	Star Drag Spring	BNT5498	Stabilizer Bar	BNT6711	Screw
BNT4194	Ball Bearing	BNT5499	Idle Gear	BNT6712	Screw
BNT4380	Retainer	BNT5500	Worm Shaft Seal	BNT6713	Handle Knob Seal
BNT4447	Roller Clutch Bearing	BNT5502	Level Wind Guard	BNT6714	Screw
BNT4548	Brake Collar	BNT5503	O Ring	BNT6715	Screw
BNT4588	Washer	BNT5505	Screw	BNT6716	Screw
BNT4729	O Ring	BNT5506	Clutch Cam Retainer	BNT6723	Cast Control Cap
BNT4872	Idle Gear	BNT5511	Screw	BNT6724	Roller Clutch Inner Tube
BNT4874	Pawl Cap	BNT5520	Cam Lever Retainer	BNT6726	Drag Washer
BNT4932	Click Spring	BNT5523	Ball Bearing	BNT6727	Star Drag
BNT4945	Ball Bearing	BNT5525	Washer	BNT6729	Handle Nut Plate
BNT4981	O Ring	BNT5531	Handle Nut	BNT6730	Key Washer
BNT5005	Yoke	BNT5533	Star Drag Nut	BNT6731	Eared Washer
BNT5027	Idle Gear Spring	BNT5534	Clutch Button Attachment	BNT6732	Handle Assembly
BNT5201	Yoke Spring	BNT5538	Drive Shaft	BNT6747	Line Guide
BNT5211	Bearing Pressure Spring	BNT5541	Clutch Cam	BNT6748	Worm Shaft
BNT5218	O Ring	BNT5542	Clutch Pawl	BNT6749	Frame
BNT5264	Anti-Reverse Ratchet	BNT5543	Clutch Pawl Spring	BNT6750	Right Side Plate
BNT5310	Idle Gear Pin	BNT5544	Clutch Plate	BNT6752	Level Wind Protector
BNT5314	Click Plate Retainer	BNT5545	Clutch Guard	BNT6756	Pinion Gear
BNT5316	Click Pin	BNT5548	Clutch Bar Guide	BNT6757	Left Side Plate
BNT5319	Bearing Retainer	BNT5549	Clutch Button	BNT6758	Drive Gear
BNT5334	Bushing	BNT5551	Dial Case Assembly	BNT6818	Right Side Plate Assembly
BNT5346	Spacer B	BNT5609	Screw	BNT6967	Washer
BNT5368	Side Plate Cam Lever	BNT5714	Screw		
BNT5376	Drag Spring Washer	BNT5715	Drive Shaft Washer		
BNT5383	Line Guide Pawl	BNT5765	Ball Bearing	BNT4692	B-100 Oil (Accessory)